

Triple Deck System

The Triple Deck System can handle a wide variety of packages, including trays, flat plates and boxes. Full crates of freshly harvested products are automatically transported to the work tables by a roller conveyor. The units on the work tables are then weighed manually by an operator. After that, the packages automatically run through the Triple Deck System to an inliner, after which the product is ready to be sealed.

Unique to the Triple Deck System is the 4-track conveyor belt. This means that the speed of operators is no longer limited to the slowest link in the packaging process. Operators can always continue their work because the products are automatically transported to the middle two lines.

The moment the operator takes a harvest crate from the supply roller conveyor, the system automatically fills the empty spaces with a new full harvest crate.

The operator puts back the empty crate on top of the Triple Deck System, after the crate is automatically transported towards the beginning or the end of the packing line.



Ask our experts about the possibilities for your application and see what our machine can do for you.

 agri-food@arco-solutions.nl



CALL US NOW!

+31 (0) 88 006 5300

Specifications

Application

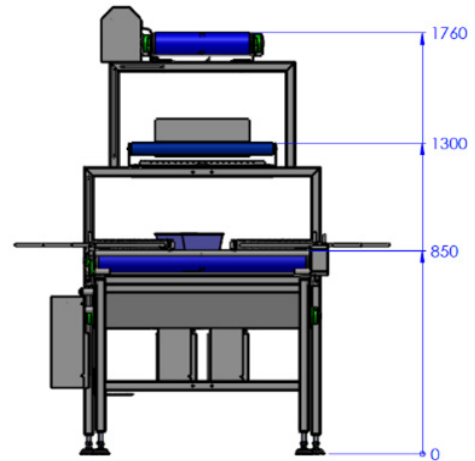
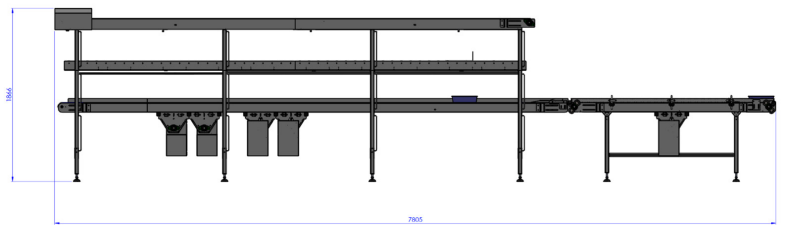
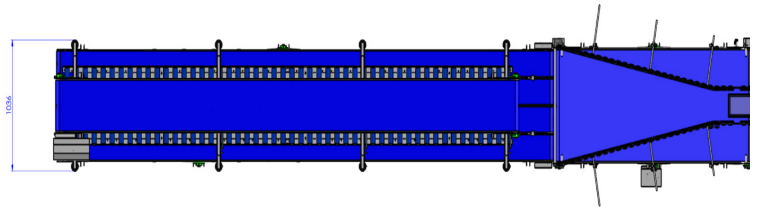
- Extremely user-friendly operation
- LED Indicator
- Automatic feeding of full harvest crates
- Automatic discharge of empty harvest crates
- Suitable for containers up to 210mm wide
- Fresher packaging due to faster processing
- Efficient working due to 4-line system
- 24/7 remote service access
- OEE- Date per recipe

Benefits

- Less loss due to overweight
- Faster throughput, so fresher packaged
- Less floor space required
- Low investment
- High capacity
- Proven technology

Optional extras

- Line control system
- Metal detector + rejector
- Crate (DE) stackers



Machine type		Triple Deck System
Manufacturer		ARCO Solutions
Noise level		50 dB (A)
Electrical supply	Voltage	400 Vac
	Phase	3F+N+earde
	Frequency	50 Hz / 60 Hz
	Power	1,5 kW / 1,1 kW / 1,1 kW